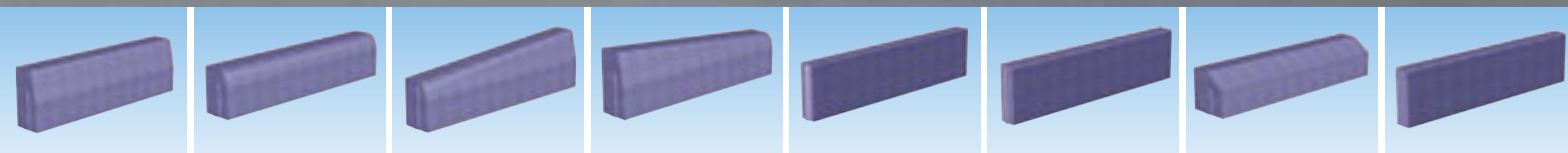




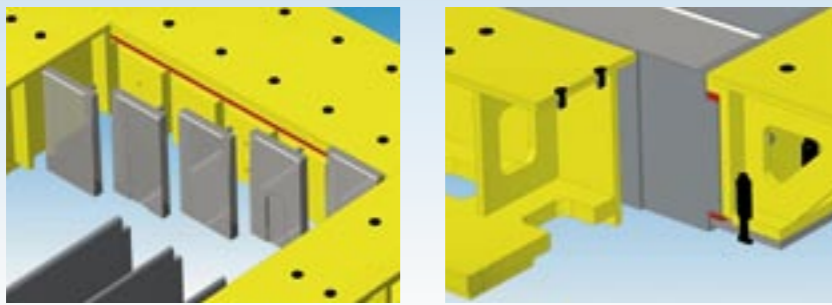
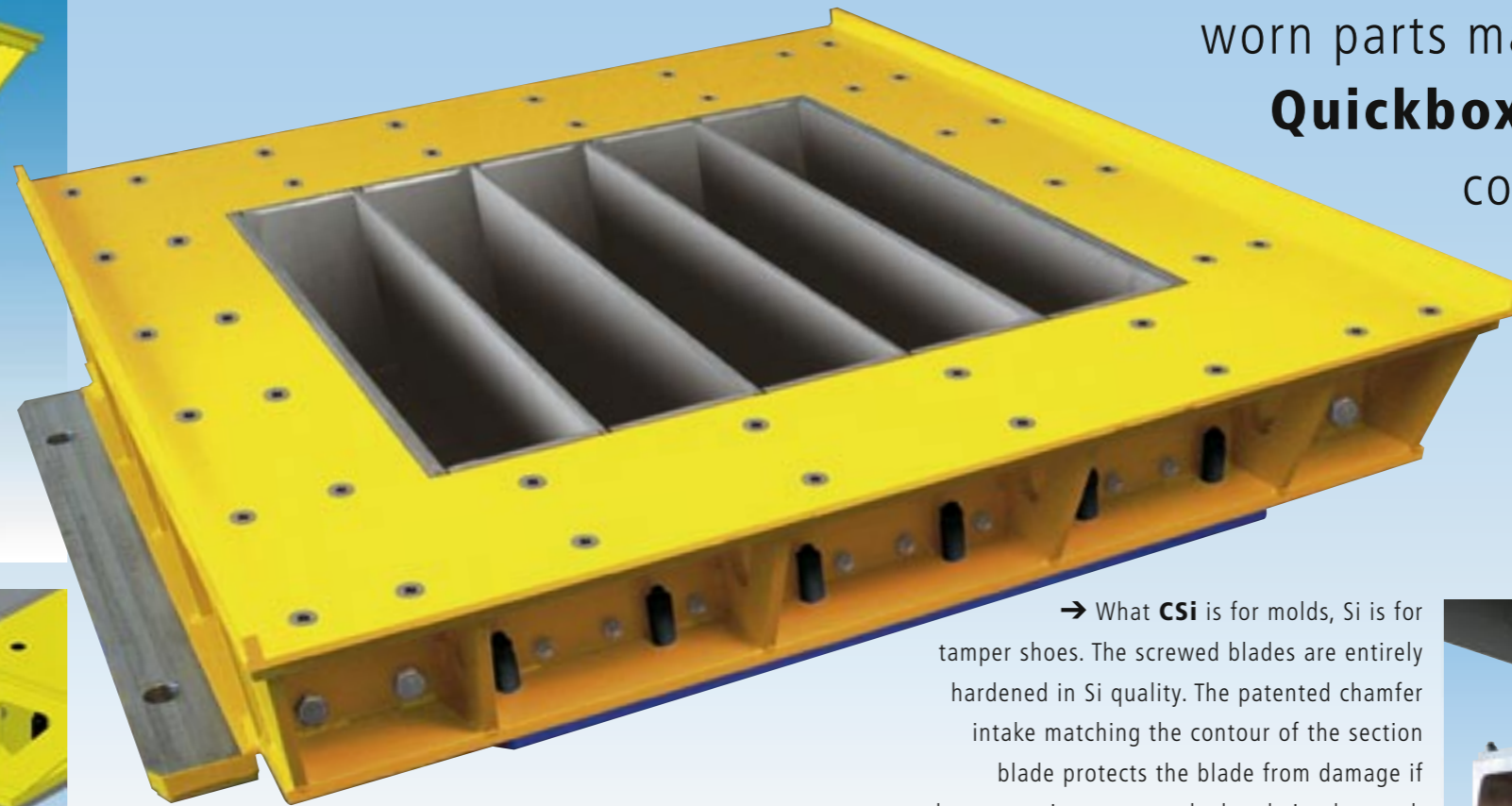
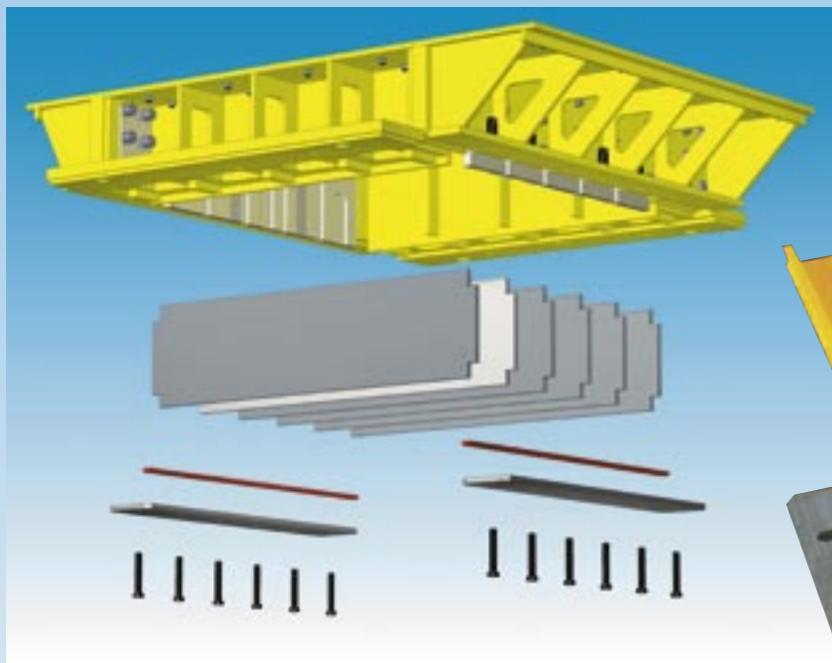
# QuickBox



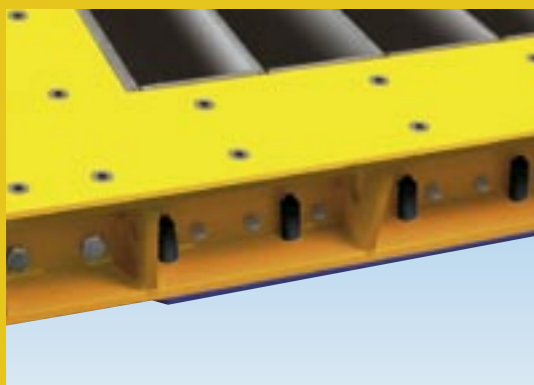
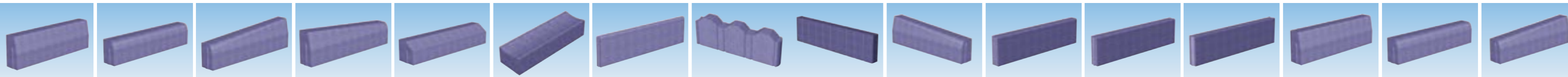
## Kerbstone Molds

→ **RAMPF** – ADDING DOLLARS AND SENSE TO YOUR BOTTOM LINE

The quick and easy replacement of all worn parts makes the new **RAMPF Quickbox system** an effective cost-savings alternative.



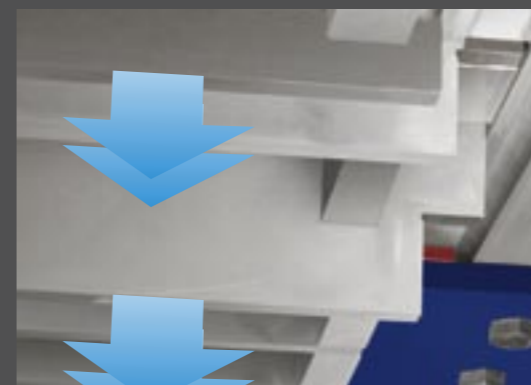
→ What **CSi** is for molds, Si is for tamper shoes. The screwed blades are entirely hardened in Si quality. The patented chamfer intake matching the contour of the section blade protects the blade from damage if the tamper is not centred when being lowered.



- Resilient sleeves to avoid screw and bolt breakage and to fix the clamping plate in place
- Screwed cover plate for quick and easy replacement
- Worn mold parts can be quickly replaced by a trained machinist in just a few hours



- Cost-efficient since the existing mold frame can be reused and all worn parts are quickly replaced
- Significant cost-savings: The screwed centre partitions make it possible to carry out your own refurbishing and overhaul independently, which significantly reduces equipping times



- Easily replaced face sections and partitions
- **CSi** quality for parts subject to wear and tear, therefore significantly longer service life



- Not pressure-sensitive clamping strips to easily fasten the mold partitions
- The screwed clamping plate ensures easy and quick replacement of the mold partitions



→ **RAMPF** – ADDING DOLLARS AND SENSE TO YOUR BOTTOM LINE

In our show hall in Germany we are exhibiting more than 200 different products, the cream of the crop of pavers, landscape products, retaining walls. All manufactured in a **RAMPF** mold by satisfied clients around the world.

We cordially invite you to walk around and be inspired by our exhibits.

